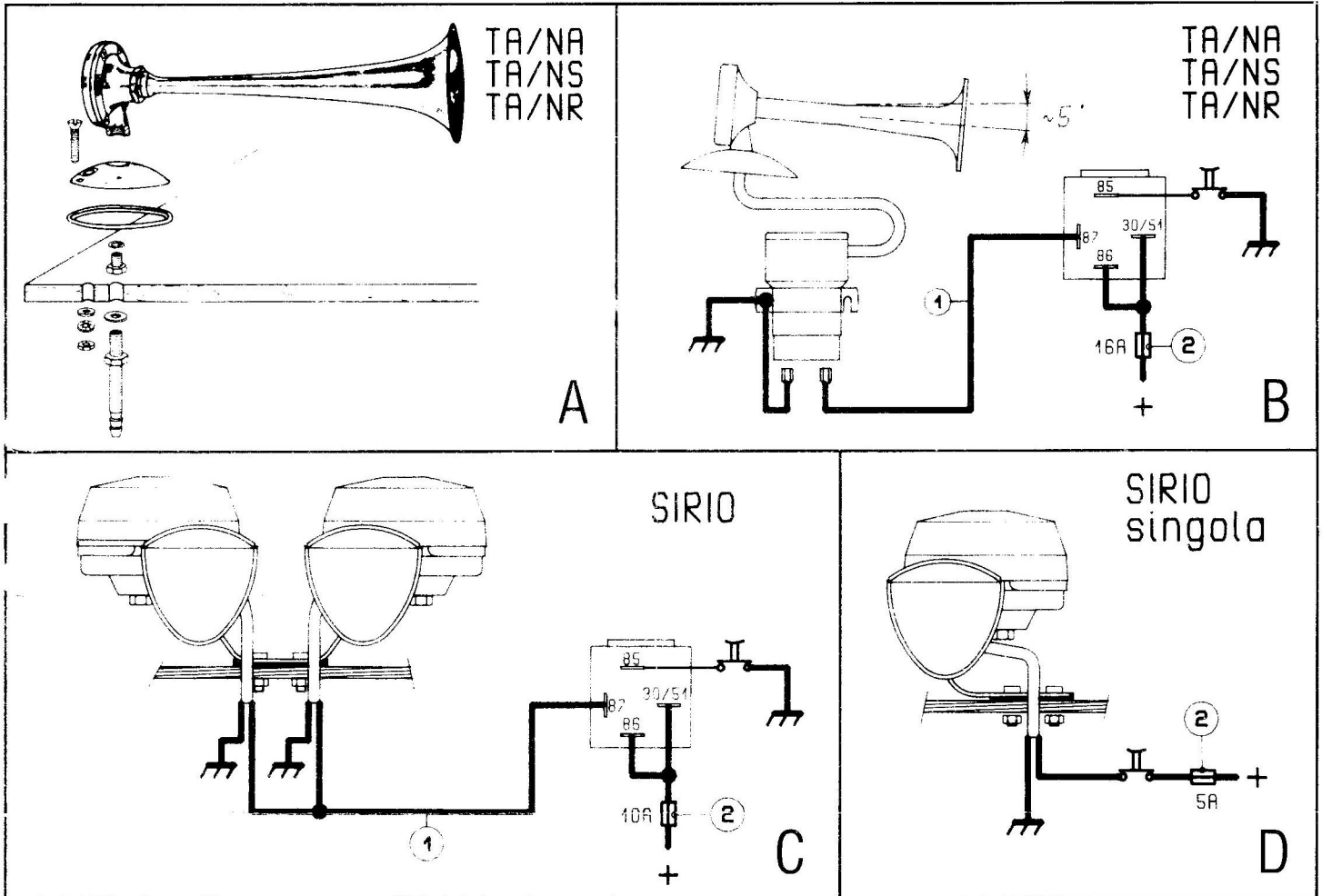


# FIAMM

## INSTRUCTION FOR INSTALLATION OF AIR HORN - MARINE USE



### MECHANICAL INSTALLATION Fig. "A" or "C" or "D"

Install horn components as illustrated in figures.

Horn must be installed as near the relay as possible, but in position protected from sprays of water.

### ELECTRICAL CONNECTIONS Fig. "B" or "C" or "D"

Connect relay terminal 30/51 to the positive clamp on the battery, using a 2,5 mm<sup>2</sup> single pole cable (1) if the distance between battery and horn is less than 1,5 m, and a 4 mm<sup>2</sup> single pole cable if the distance is greater, and also inserting a fuse(2).

Check that electrical contacts with ground are performed properly.