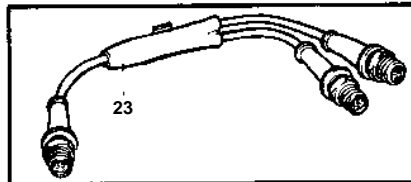
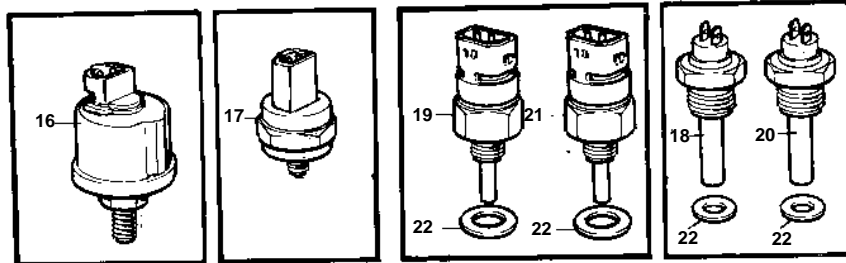
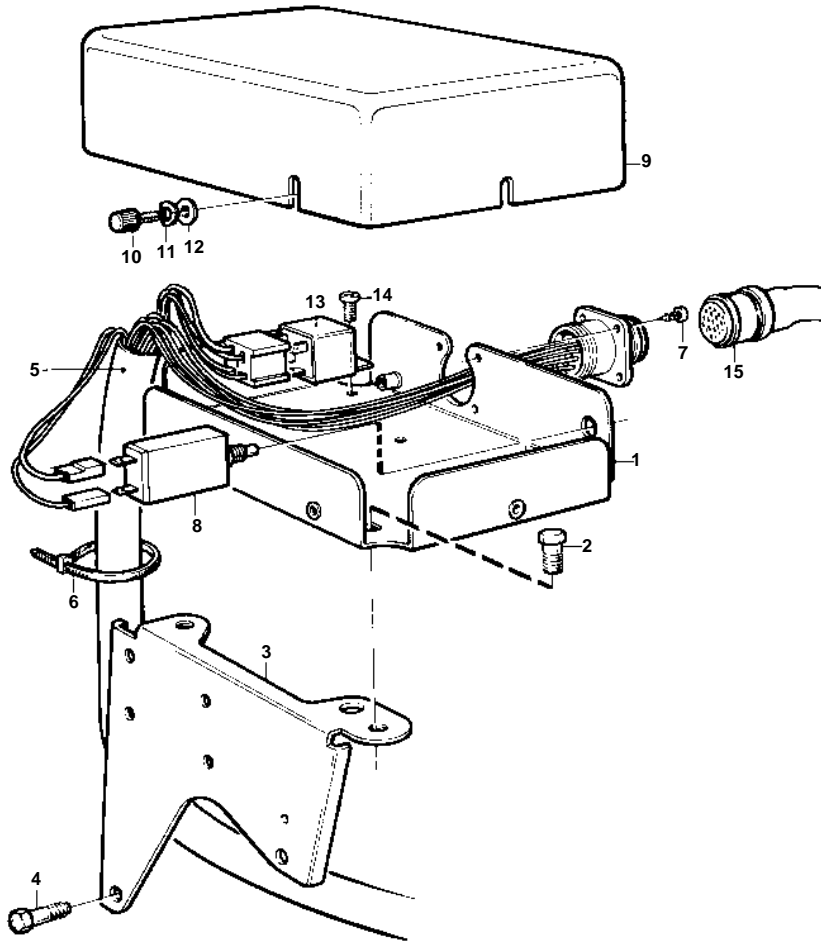


TMD31D, TAMD31D, AD31D, AD31XD



15276

TMD31D, TAMD31D, AD31D, AD31XD

REF	PART NO.	QTY	DESCRIPTION	NOTES
1	860417	1	Bracket	
2	965175	2	Screw	
3	860611	1	Bracket	
4	946470	1	Flange screw	L=35mm
	948217	1	Flange screw	L=45mm
5	873550	1	Wiring harness	12V, (873053)
	873532	1	Wiring harness	24V, (873054)
6	948210	X	Strip clamp	
7	955119	4	Screw	
8	966689	1	Fuse	12V
	966689	2	Fuse	24V
9	860779	1	Cover	
10	846736	3	Lock screw	
11	941904	3	Spring washer	
12	960137	3	Washer	
13	860339	1	Relay	12V, 50A
	838955	1	Relay	24V, 50A
	873611	1	Relay	(837878) 24V, 20A
14	955138	X	Screw	
15	846648	1	Extension cable	L=3,0m
	846649	1	Extension cable	L=5,0m
	846650	1	Extension cable	L=9,0m
16	866835	1	Pressure sensor	0-10bar
	866836	1	Pressure sensor	ALT,0-10bar. For double steering positions.
17	863169	1	Pressure monitor, oil-pressure	
18	873066	1	Thermo monitor, coolant water temp.	12V 97°C
19	862250	1	Thermo monitor, coolant water temp.	24V 97°C
20	827151	1	Temperature sensor, coolant water temp.	12V 40-120°C
	840074	1	Temperature sensor, coolant water temp.	ALT,12V 40-120°C. For double steering positions.
	843325	1	Temperature sensor, coolant water temp.	24V 120°C LATE TYPE
21	862154	1	Temperature sensor, coolant water temp.	24V 120°C EARLY TYPE
22	957181	2	Gasket	
23	1140598	X	Y-koppling	Included in gasket kit, decarbonizing 276035.