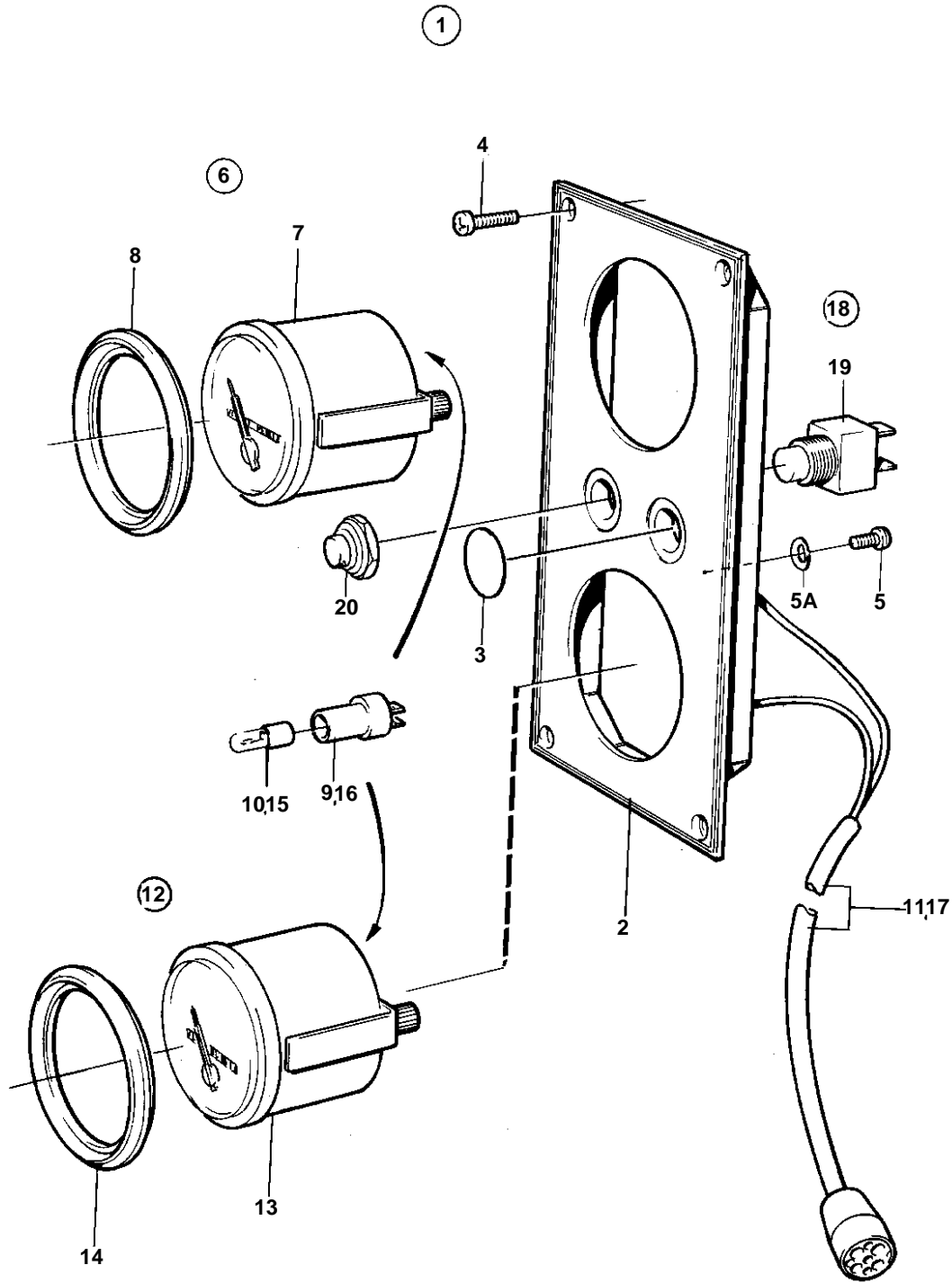


COMMON



8944

COMMON

| REF | PART NO. | QTY | DESCRIPTION            | SEE SEC. | NOTES  |
|-----|----------|-----|------------------------|----------|--|
| 1   |          | 1   | Instrument panel       |          | For instruments with D=52mm.<br>REPLACED BY 858874 |
| 2   |          | 1   | · Instrument panel     |          |  |
| 3   | 828607   | 2   | · Cover plate          |          |  |
| 4   | 828647   | 4   | · Screw                |          |  |
| 5   | 949947   | 1   | · Screw                |          |  |
| 5A  | 941904   | 1   | · Spring washer        |          |  |
| 6   | 1140464  | 1   | Hour counter kit       |          |  |
| 7   | 828615   | 1   | · Hour counter         |          | (828615)   |
| 8   | 858643   | 1   | · Front ring           |          |  |
| 9   | 808175   | 1   | · Bulb socket          |          |  |
| 10  | 19923    | 1   | · Bulb                 |          |  |
| 11  |          | X   | · Cables and terminals | 124      |  |
| 12  | 858878   | 1   | Voltmeter kit          |          |  |
| 13  |          | 1   | · Voltmeter            |          | (828628)   |
| 14  | 858643   | 1   | · Front ring           |          |  |
| 15  | 19923    | 1   | · Bulb                 |          |  |
| 16  | 808175   | 1   | · Bulb socket          |          |  |
| 17  |          | X   | · Cables and terminals | 124      |  |
| 18  | 828718   | 1   | Switch                 |          | Spring loaded.<br>ON/OFF.                          |
|     | 828719   | 1   | Switch                 |          |  |
| 19  | 828584   | 1   | · Switch               |          | FOR 828718   |
|     | 828585   | 1   | · Switch               |          | FOR 828719   |
| 20  | 828586   | 1   | · Nut                  |          |  |